

## Assembly Instructions

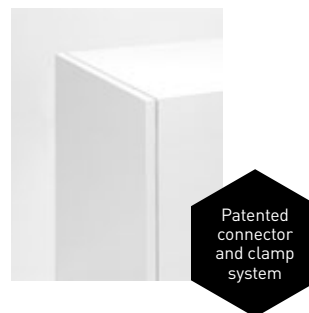
The intelligent connector and clamp system



### How do I assemble my Cubit®s?

The international, patent pending connector and clamp system enables simple assembly, no matter whether the Cubit®s are placed, stacked or hung. Every Cubit® module has a groove on the backside, which forms the core of the intelligent shelf system.

The groove, which runs around the Cubit® module, provides the flexibility of the shelf system: This is how the various Cubit® modules can be connected to each other without screws; from above and from below but also on the right and on the left side – irrespective of their width, height and depth. Furthermore, the Cubit®s can be turned by 90°, which multiplies the creative possibilities.



#### Option 1

### Connect and stack – without drilling.

The individual Cubit®s arrive completely assembled at your home. The assembly of a stacked shelf can be carried out very comfortably without screws and is very easy.

The patented connector system functions like a „tongue and groove“ system. The connection element, included within the scope of delivery and the groove, which runs around the Cubit®, enable an unproblematic, tool-free and especially stable connection of your Cubit®s... Drilling is not necessary!!

**Tip: Please make sure that the surface is as flat and level as possible when assembling.**



Stick connection element into the groove, which runs around the module.



Put on the Cubit® module. Finished!

No tools needed: 90% of customers stack their Cubit®s

#### Option 2

### Hanging or fixing Cubit®s – Easy with our universal drilling jig!

Thanks to the patented connector and clamp system you can also let individual Cubit®s float on the wall and they can thus be used as a hanging shelf. The clamp made from galvanized steel also fits into the circular groove and enables stable wall suspension.

To do this, place your Cubit® wherever wanted and mark the edges with a sharp (!) pencil. Please use the added drilling jig for marking the drill holes, right after you may drill the holes. Maybe one hole is sufficient, but this clearly depends on the condition of your walls. Afterwards you can fix the clamps and hang your Cubit®.

The advantage of this new drilling jig is its higher flexibility. Due to its size the new drilling jig allows easier positioning of single clamps to mount your Cubit® to the wall. We always recommend wall mounting with a shelf-height as of 1.40m. In case there are children living in your household, we always recommend wall mounting in order to stabilise the shelf. If you are not sure where to fix your shelf check the assembly instructions, please.



Mark bottom or side edges with a sharp pencil.



Mark drill holes using the jig.



Drill holes.



Fix clamps.



Hang Cubit® module. Finished!

### Further information and Cubit® planner at [www.cubit-shop.com](http://www.cubit-shop.com)

Do you have any further questions or suggestions? Please contact our Customer Care Team by telephone +49(0)2 11.9 99 14 50 or by email at [contact@cubit-shop.com](mailto:contact@cubit-shop.com). We are there for you from Monday to Friday between 9 am - 1 pm and 2 - 6 pm.

Cubit®

Modular Shelving System

## Assembly Instructions

Attach the shelf with Cubit® clamps.



### When do I need Cubit® clamps?

In case you would like to have floating Cubit®, or if they shall be attached to the wall, you need clamps for wall mounting (these are not included within the scope of delivery).

The custom-made Cubit® clamp made of galvanized steel is delivered with two screws and matching dowels. Furthermore, you receive a drilling jig especially made for the Cubit® module, which you can use to drill the holes. Please have a size-6-drill at hand.

The here mentioned number of clamps corresponds to our recommendation for a medium load of weight. However, you can adjust the amount of clamps to be used, according to the conditions at the place of assembly (for example: how much weight the contents will carry or the condition of your walls).



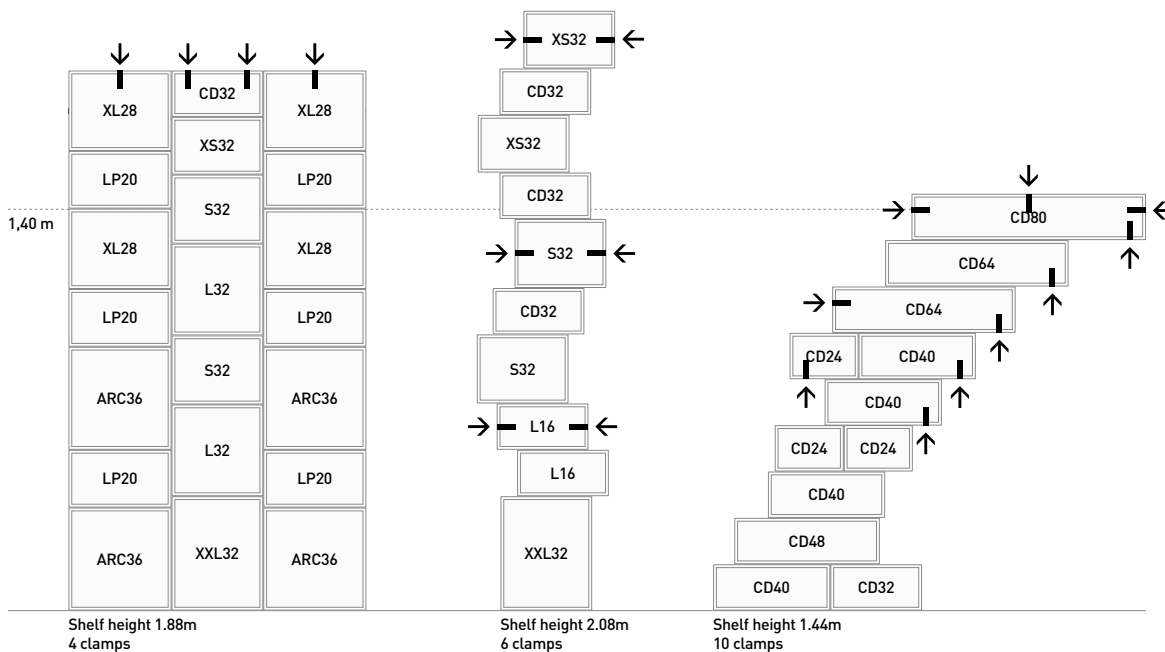
Option 1

### Attach shelf.

Would you like to secure your stacked Cubit® shelf? We always recommend wall mounting with a shelf height as of 1.40 m.

Should there be children living in your household, we always recommend wall mounting.

Here are a few examples how Cubit®s could be mounted to a wall.



Further information and Cubit® planner at [www.cubit-shop.com](http://www.cubit-shop.com)

Do you have any further questions or suggestions? Please contact our Customer Care Team by telephone +49(0)2 11.9 99 14 50 or by email at [contact@cubit-shop.com](mailto:contact@cubit-shop.com). We are there for you from Monday to Friday between 9 am - 1 pm and 2 - 6 pm.

Cubit®

Modular Shelving System

## Assembly Instructions

Have Cubit®s float by using clamps.

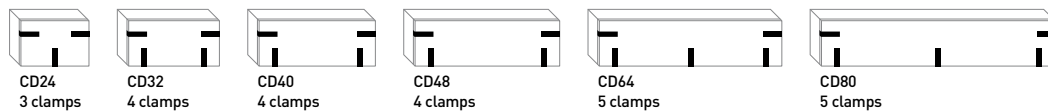


### Option 2

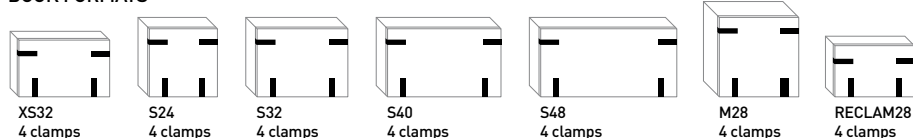
## Have individual Cubit®s float.

Would you like to have your Cubit®s fastened floating on the wall? Based on the following overview, you find out how many clamps you need to hang up individual Cubit®s.

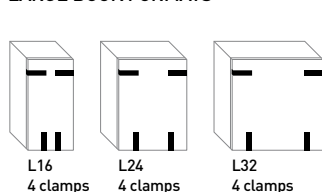
### CD FORMATS



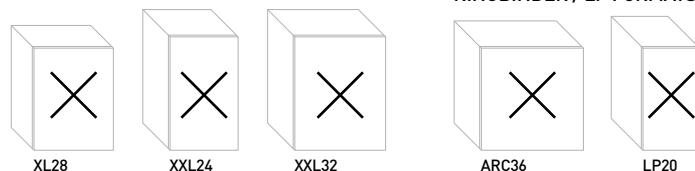
### BOOK FORMATS



### LARGE BOOK FORMATS



### RINGBINDER / LP FORMATS



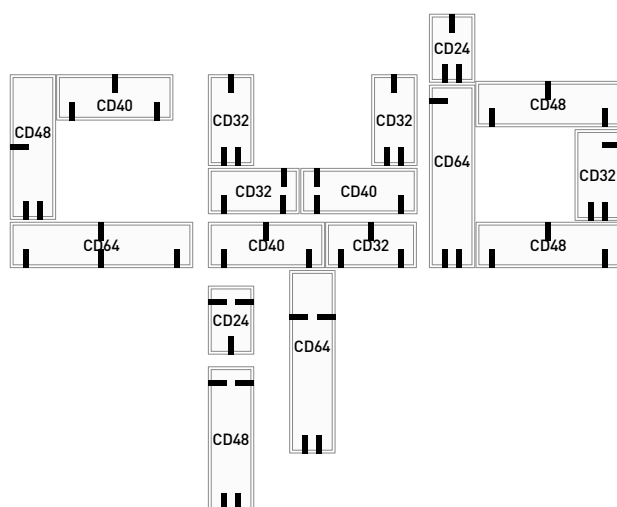
For these five modules, we do not recommend wall mounting.

We recommend that you support each underside with two clamps, no matter whether you hang the Cubit®s horizontally or vertically. Based on their length, the formats CD64 and CD80 need 5 clamps when hung horizontally and 4-6 clamps when hung vertically.

### Connect, stack and hang

## Combination of the connector and clamp system

Through the combination of the connector and clamp system, many clamps can also be saved with hanging shelves.



## Further information and Cubit® planner at [www.cubit-shop.com](http://www.cubit-shop.com)

Do you have any further questions or suggestions? Please contact our Customer Care Team by telephone +49(0)2 11.9 99 14 50 or by email at [contact@cubit-shop.com](mailto:contact@cubit-shop.com). We are there for you from Monday to Friday between 9 am-1 pm and 2 - 6 pm.

Cubit®

Modular  
Shelving  
System